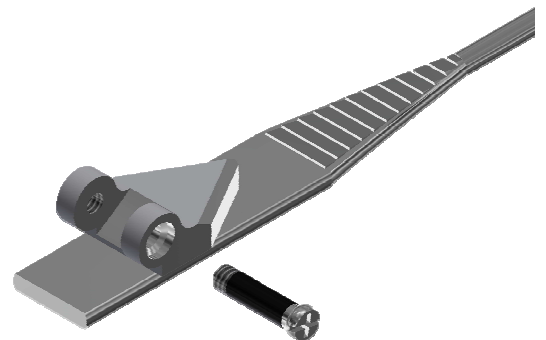




Design by Mykita with MIM hinge



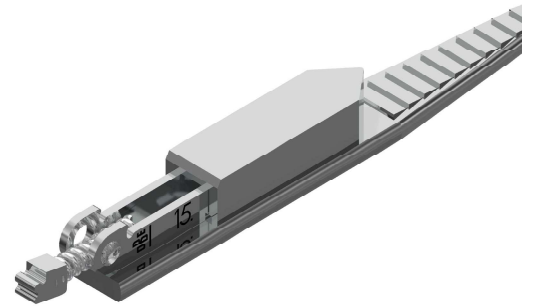
Design by Ross Lovegrove with OBE 27° MIM hinge



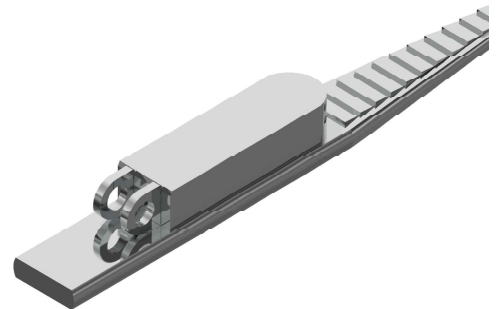
Design by STATE with special hinge on wire



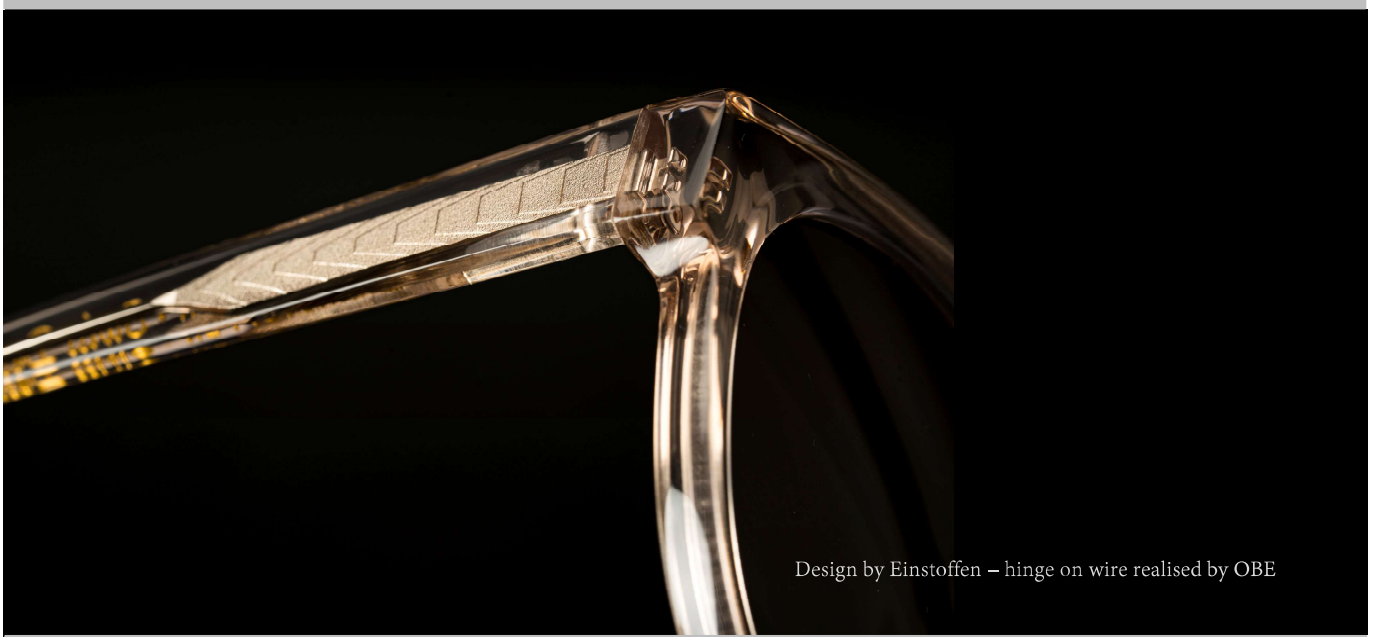
Design by Ace & Tate with INFLEX



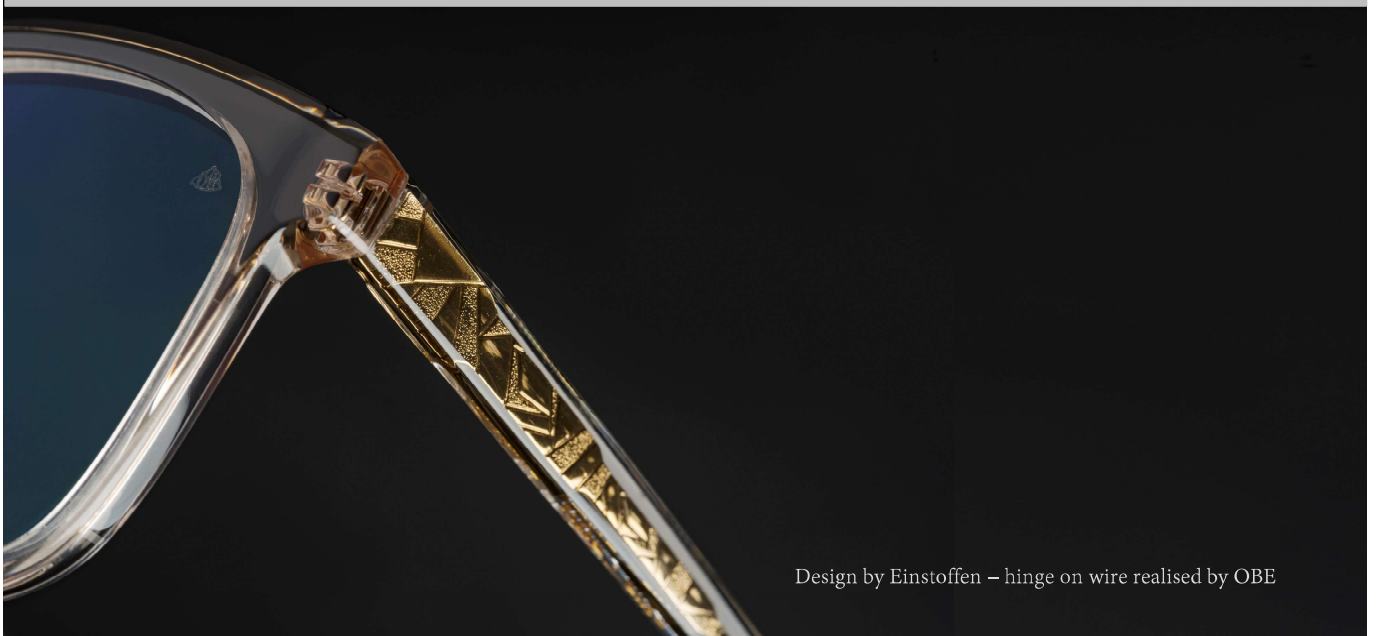
Design by Woodys with SPIKE



Design by Pascal Mathieu with Wafer



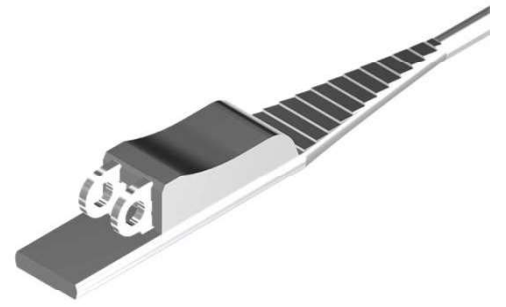
Design by Einstoffen – hinge on wire realised by OBE



Design by Einstoffen – hinge on wire realised by OBE



Design by Einstoffen – hinge on wire realised by OBE



Design by Very French Gangsters with flexUno on wire 4.3 mm



Design by Steve McQueen with customised rivet hinge



Design by Li & Nung with flexUno mini stainless steel